

# CO<sub>2</sub> Equipment

## ASCO CO<sub>2</sub> Pressure Reducing Valve



C31



C2-K32

The ideal and reliable high-flow CO<sub>2</sub> pressure reducing valve for use with CO<sub>2</sub> gas or liquefied.

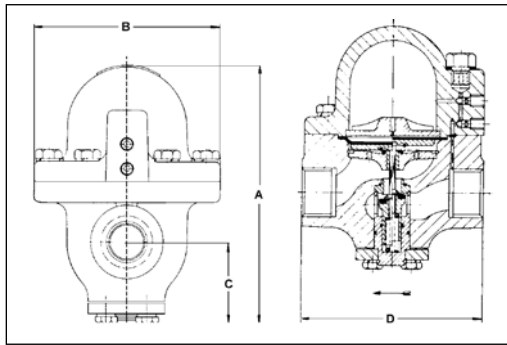
### Advantages of a CO<sub>2</sub> pressure reducing valve:

- Constructed in brass (C31) and meehanite (C2-K32) with stainless steel trim
- Abrasion and dirt resistant rubber valve seats
- Dome loading either from inlet line or separate gas supply
- Stable and noiseless operation
- Positive gas-tight shut-off
- High-flow contoured passages

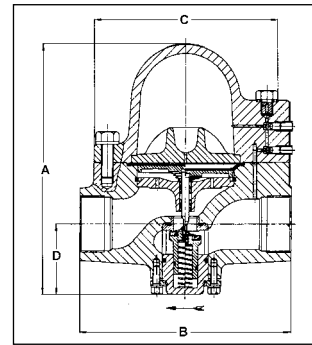
### Specifications

	Type C31 part no. 914250	Type C2-K32 part no. 914006
CO <sub>2</sub> gas output per hour calculated at inlet pressure at 18 bar (261.07 psi)		
• outlet at 5 bar (72.52 psi)	621 kg/h (1'369 lb/h)	3'142 kg/h (6'927 lb/h)
• outlet at 8 bar (116.03 psi)	621 kg/h (1'369 lb/h)	3'142 kg/h (6'927 lb/h)
• outlet at 10 bar (145.04 psi)	615 kg/h (1'356 lb/h)	3'114 kg/h (6'865 lb/h)
Connection	R 1"	R 2"
Weight approx.	6 kg (13.23 lb)	19 kg (41.89 lb)
Maximum inlet pressure	100 bar (1450.38 psi)	63 bar (913.74 lb)

## ASCO CO<sub>2</sub> Pressure Reducing Valve: Dimensions



C31



C2-K32

	Type C31 part no. 914250	Type C2-K32 part no. 914006
A	170 mm (6.69 in)	263 mm (10.35 in)
B	126 mm dia. (4.96 in)	227 mm (8.94 in)
C	52 mm (2 in)	197 mm dia. (7.76 in)
D	127 mm (4.99 in)	75 mm (2.95 in)

### ASCO CO<sub>2</sub> Pressure Reducing Valve C31: Standard scope of supply

#### ASCO CO<sub>2</sub> Pressure Reducing Valve C31 (Dome Loaded)

for gaseous and liquid CO<sub>2</sub>  
incl. repair kit (diaphragm and O-ring)

part no. 4046817



### ASCO CO<sub>2</sub> Pressure Reducing Valve C2-K32: Standard scope of supply

#### ASCO CO<sub>2</sub> Pressure Reducing Valve C2-K32 (Dome Loaded)

for gaseous and liquid CO<sub>2</sub>  
incl. repair kit (diaphragm and O-ring)

part no. 4046644



# Safety

## ASCO CO<sub>2</sub> Gas Detectors

**ASCO CO<sub>2</sub> Gas Detectors** are used to protect personnel wherever CO<sub>2</sub> gas or dry ice is used in closed areas, for example during dry ice blasting or when producing dry ice. CO<sub>2</sub> being heavier than air effectively will create high CO<sub>2</sub> concentrations, especially in small rooms or basements where no fresh air is supplied.

**ASCO CO<sub>2</sub> Gas Detectors** ensure continuous and automatic CO<sub>2</sub> content measuring in the ambient air using infrared absorption measuring (NDIR). This technology employed the detector is very troubleresistant to temperature variations or air draughts and therefore measures very accurately. The CO<sub>2</sub> gas detectors are very simple to install and no maintenance is needed due to the reliable measuring technology. It is a complete electronic system and, therefore, has no mechanical parts inside. All components are built into a splash proof box. The sensor is connected to the detector by a 5 m (196.85 in) standard cable, which can be shortened or extended as required.

### Specifications Detector

Dimensions/weight:	160 × 65 × 130 mm (6.29 x 2.56 x 5.11 in) / approx. 600g (1.32lb)
Material box:	ABS plastic (IP54)
Resolution:	0.1 vol% CO <sub>2</sub>
Voltage:	100-240 VAC (PNE) (power supply unit with wide voltage input) 50-60 Hz
Max power consumption:	approx. 5 W
Relay preliminary alarm/alarm:	250 VAC (ohmic load), 10 A
Analog output signal:	4-20 mA, burden 200-800 Ω

### Specifications Sensor

Size/weight:	85 × 65 × 90 mm (3.35 x 2.56 x 3.54 in) / approx. 500g (1.1 lb)
Material box:	aluminium (IP43)
Gas entry:	diffusion
Measuring method:	nondispersive infrared measurement (NDIR)
Measuring range:	0-5 vol% CO <sub>2</sub>
Accuracy:	0.1 vol% CO <sub>2</sub>
Operating temperature:	-10 to +50 °C

## ASCO CO<sub>2</sub> Gas Detector: Standard scope of supply

### ASCO CO<sub>2</sub> Gas Detector IV SP/MA

Potential free relay contact provided for additional external warning lights, fan etc.  
4-20mA output, e.g. for an output signal for a remote indicator

part no. 4046230



### ASCO CO<sub>2</sub> Gas Sensor for Detector Type IV SP/MA

Incl. 5 m (196.85 in) sensor cable for the connection between detector and sensor

part no. 406231

