

Dry Ice Blasting Unit

ASCOJET 2008 Combi Pro complete (fully adjustable)

part no. 901050



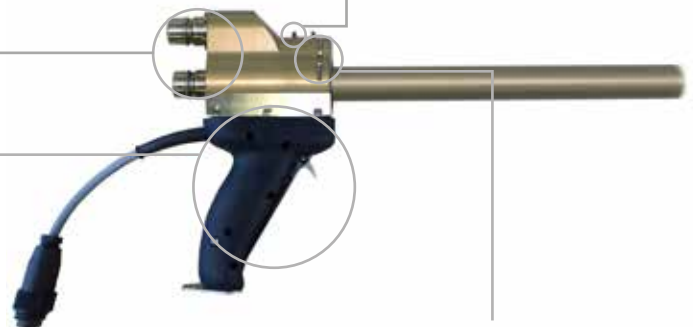
The **ASCOJET 2008 Combi Pro** combines a powerful double hose system, which can be optionally used as a one-hose system, with the option of cleaning with dry ice pellets and the additional abrasive effect of an additive. Thus, users can choose from two blasting options, namely pure dry ice blasting or combination blasting.

Designed specifically for the high-end sector, the **ASCOJET 2008 Combi Pro** is ideal for maximum performance and time savings.

Powerful and handy blasting gun:

Thanks to a **quick connect coupling** the gun can be attached to the blasting unit very easily.

Increased security thanks to the **locking pin**, which makes a sudden opening of the locking mechanism of the nozzle impossible.



The **ergonomic gun handle** ensures very easy handling and comfortable operation when blasting over longer periods. The new developed safety button is ideal for left and right-hander.

Specifications

Material:	frame, lateral, rear and front housing panels made of aluminium, powdercoated
Dimensions (L × W × H) (inkl. wheels and handle):	930 × 600 × 1'100 mm (36.6 x 23.6 x 43.3 in)
Weight empty:	approx. 89 kg (196.2 lb)
Content of pellet hopper:	approx. 23 kg (50.7 lb)
Content of box for additive:	approx. 12 kg (26.5 lb) (dep. on additive)
Blasting pressure with additive:	4 - 8 bar (58 - 116 psi) (adjustable)
Blasting pressure w/o additive:	0 - 20 bar (0 - 290 psi) (adjustable)
Blasting pressure 2 hose:	0 - 20 bar (0 - 290 psi) (adjustable)
Blasting pressure 1 hose:	0 - 10 bar (0 - 145 psi) (adjustable)
Dry ice consumption:	30 - 100 kg/h (66.14 - 220.46 lb/h) (stepless)
Additive consumption:	approx. 30 kg/h (66.14 lb/h) (depending on blasting pressure)
Voltage:	230 V, 50/60 Hz, 1 Ph (other V on request)
Max. power consumption:	600 W (0.80 HP) nominal
Connection:	Input: 1" BSP

A **quick exchange system** allows nozzles to be changed within seconds without any tools.



The dry ice blasting unit **ASCOJET 2008 Combi Pro** is standardly equipped with a HP tool case and the suitable nozzles, a HP6 gun as well as a 7,5 m (24.6 ft) double hose.

ASCOJET 2008 Combi Pro: Special features



Double hose system for maximum performance



Optional 1- or 2-hose-system



Container for additive with approx. 12 kg (26.5lb) capacity



Highly manoeuvrable



Integrated grounding roll for more safety



Optimum pellet flow thanks to maintenance-free electric vibrator

ASCOJET 2008 Combi Pro: Standard scope of supply

Blasting gun HP

Standard for the ASCOJET 2008 Combi Pro
Length: 45 cm (17.72 in)
Weight: 1.75 kg (3.86 lb)
Blasting pressure: 0-20 bar (0-290 psi)

part no. 4063750



including the corresponding blasting nozzle
High performance barrel nozzle HP255

HP

Standard for the blasting gun HP
Powerful nozzle
Outlet opening: approx. Ø 20 mm (0.79 in)
Length: 33 cm (12.99 in)
Inner diameter: 14 mm (0.55 in)

part no. 4045393



Blasting gun additive OHP

Standard for the ASCOJET 2008 Combi Pro
incl. protective glove additive (part no. 4061690)

part no. 4063751



including the corresponding blasting nozzle

Blasting nozzle additive

Standard for the ASCOJET 2008 Combi Pro

part no. 4061580



Hose assembly 7.5 m (24.6 ft) for HP gun

Standard for the ASCOJET2008 Combi Pro. Can also be used as an extension of the hose assembly.
Incl. buckling protection on both sides of the compressed air hose,
incl. control cable, grounded

HP

part no. 4046952



Hose assembly 7.5 m (24.6 ft) for OHP gun additive

Standard for the ASCOJET 1708

OHP

part no. 4061696



ASCOJET 2008 Combi Pro: Options

Pos. 001

Tool Case HP

Contains the entire nozzle assortment (excl. gun and standard barrel nozzle, part no. 917182), fits the HP gun

Consists of 3 nozzles:
part no. 4045394, 4046903, 4045395

part no. 4064576



Pos. 002

Lighting kit for dry ice blasting gun

Compact torch
LED light 160 lumen, 160 cm (63 in)
Up to 25 hours battery life

Length: 10.6 cm (4.2 in)
Weight: 120 g (0.35 lb)

OHS
OHP
HP

part no. 4064129



Pos. 003

High performance barrel nozzle HP275

Increases the cleaning performance with same working pressure

Outlet opening: approx. \varnothing 24 mm (0.95 in)
Length: 32 cm (12.59 in)
Inner diameter: 15 mm (0.59 in)

HP

part no. 4045394



Pos. 004

Flat nozzle 213.32/60

Newly designed nozzle with optimized geometry for better performance on large areas

Outlet opening: approx. 60 x 5 mm (2.36 x 13/64 in)
Length: 33 cm (12.99 in)
Inner diameter: 13 mm (0.51 in)

HP

part no. 4046903



Pos. 005

Barrel nozzle long HP2

The nozzle is designed to allow for a comfortable working position of the person in charge

Outlet opening: approx. Ø 20 mm (0.79 in)

Length: 52 cm (20.47 in)

Inner diameter: 14 mm (0.55 in)

HP



part no. 4045395

Pos. 006

Protective sleeve for double hose system 220 mm (8.67 in)

To protect the control cable and blasting hose from dirt and damages

Available in meters

HP



part no. 40447266

Pos. 007

Blasting gun OHP

To use the ASCOJET 2008 Combi Pro as a one hose system along with the hose assembly OHP (part no. 4045987)

Length 33 cm (12.99 in)

Weight: 1.05 kg (2.31 lb)

Blasting pressure: 0 - 10 bar (0 - 145 lb)

OHP



part no. 4063749

including the corresponding blasting nozzle
High performance barrel nozzle 709.23/15

Standard for the blasting gun OHP

Most powerful nozzle of the ASCOJET single-hose system

Outlet opening: approx. Ø 15 mm (0.59 in)

Length: 23 cm (9 in)

Inner diameter: 9 mm (0.35 in)

part no. 4047144



Pos. 008

Hose assembly 7.5 m (24.6 ft) ID 16 mm (0.63 in) for OHP gun

To be used with blasting gun OHP (part no. 4047312).

Can also be used to extend the hose assembly

incl. control cable, grounded

OHP

part no. 4045987



Pos. 009

Tool case OHP basic

Contains the entire nozzle assortment (excl. gun and standard barrel nozzle, part no. 4063749), fits the OHP gun

Consists of 6 nozzles:

part no. 4045402, 4045403, 4047216, 4047141, 4047219, 4047220

OHP

part no. 4064567



ASCOJET 2008 Combi Pro: Options

Pos. 010

High performance barrel nozzle 709.17/14

part no. 4045402

To be used with the blasting gun OHP (part no. 4063749)
Powerful and handy nozzle

OHP



Outlet opening: approx. Ø 14 mm (0.55 in)
Length: 17 cm (6.69 in)
Inner diameter: 9 mm (0.35 in)

Pos. 011

Barrel nozzle short 709.09/11

part no. 4045403

Powerful nozzle to clean in narrow spaces,
to be used with the blasting gun OHP (part no. 4063749)

OHP



Outlet opening: approx. Ø 11 mm (0.43 in)
Length: 9 cm (3.54 in)
Inner diameter: 9 mm (0.35 in)

Pos. 012

Flat nozzle 709.23/45

part no. 4047216

Powerful nozzle suitable for blasting large areas

OHS
OHP



Outlet opening: approx. 45 x 3.5 mm (1.77 x 0.14 in)
Length: 23 cm (9 in)
Inner diameter: 9 mm (0.35 in)

Pos. 013

Barrel nozzle special 709.42/15

part no. 4047141

The nozzle is designed to allow for a comfortable working
position of the person in charge

OHP



Outlet opening: approx. Ø 15 mm (0.59 in)
Length: 42 cm (16.54 in)
Inner diameter: 9 mm (0.35 in)

Pos. 014

Angled nozzle 709.28/11/45°

part no. 4047219

A powerful nozzle for very confined spaces and difficult to
reach spots

OHP



Outlet opening: approx. Ø 11 mm (0.43 in)
Length: 28 cm (11 in)
Inner diameter: 9 mm (0.35 in)

Pos. 015

Angled nozzle 709.25/11/75°

part no. 4047220

A powerful nozzle for very confined spaces and difficult to
reach spots

OHP



Outlet opening: approx. Ø 11 mm (0.43 in)
Length: 25 cm (9.84 in)
Inner diameter: 9 mm (0.35 in)

ASCOJET 2008 Combi Pro: Options

Pos. 016

Tool case OHP basic empty

Empty tool case with matching insert

OHP

part no. 4064575



Pos. 017

Pellet cutter OHP

For cleaning sensitive surfaces.
To be used with blasting gun OHP (part no. 4063749)
and hose assembly OHP (part no. 4045987)

OHP

part no. 4047257



With safety quick connect coupling, 2.5 m (8.2 ft) hose and control cable, grounded

Pos. 018

Converter coupling ASCOJET 2008 Combi Pro

This converter coupling makes it possible that the OHS gun with the corresponding blasting hose of the ASCOJET 1208 can be connected to the ASCOJET 2008 Combi Pro

Length: 7.8 cm (3.04 in)

Weight: 0.2 kg (0.44 lb)

Outlet opening: approx. Ø 34 mm (1.34 in)

OHS

part no. 4047040



Pos. 019

Blasting gun OHS

Standard for the ASCOJET 1208

Length: 26 cm (102.36 in)

Weight: 1.0 kg (2.2 lb)

Blasting pressure: 0 - 10 bar (0 - 145 psi)

OHS

part no. 4063745



including the corresponding blasting nozzle
High performance barrel nozzle 707.15/12

Standard for the blasting gun OHS

Powerful nozzle with low air consumption

Outlet opening: approx. Ø 12 mm (0.47 in)

Length: 15 cm (5.9 in)

Inner diameter: 7 mm (0.28 in)

part no. 4047321



Pos. 020

Hose assembly 5m (16.4 ft) for OHS gun

Standard for the ASCOJET 1208, can also be used as an extension of the hose assembly
incl. control cable, grounded

OHS

part no. 4047104



ASCOJET 2008 Combi Pro: Options

Pos. 021

Tool case OHS/OHP pro

Contains the entire nozzle assortment (excl. gun and standard barrel nozzle, part no. 917757), fits to the OHS and OHP guns

Consists of 5 nozzles:

part no. 4047228, 4047321, 4047216, 4047222, 4047223

OHS
OHP

part no. 4064567



Pos. 022

Barrel nozzle 707.09/10

Thanks to an inner diameter of only 7 mm (0.27 in) the barrel nozzle has a very economical air consumption but is nevertheless powerful

Outlet opening: approx. Ø 10 mm (3/8 in)

Length: 9 cm (3.54 in)

Inner diameter: 7 mm (0.28 in)

OHS
OHP

part no. 4047228



Pos. 023

Barrel nozzle 707.15/12

Thanks to an inner diameter of only 7 mm (0.27 in) the barrel nozzle has a very economical air consumption but is nevertheless powerful

Outlet opening: approx. Ø 12 mm (15.32 in)

Length: 15 cm (5.9 in)

Inner diameter: 7 mm (0.28 in)

OHS
OHP

part no. 4047321



Pos. 024

Angled nozzle 708.28/10/45°

A powerful nozzle for confined spaces with low air consumption

Outlet opening: approx. Ø 10 mm (0.39 in)

Length: 28 cm (10.97 in)

Inner diameter: 8 mm (0.31 in)

OHS
OHP

part no. 4047222



Pos. 025

Angled nozzle 708.25/10/75°

A powerful nozzle for confined spaces with low air consumption

Outlet opening: approx. Ø 10 mm (0.39 in)

Length: 25 cm (9.84 in)

Inner diameter: 8 mm (0.31 in)

OHS
OHP

part no. 4047223



Pos. 026

Tool case OHS/OHP pro empty

Empty tool case with matching insert

OHS
OHP

part no. 4064570



ASCOJET 2008 Combi Pro: Options

Pos. 027

Protective sleeve for one hose system 165 mm (6.5 in)

To protect the control cable and blasting hose from dirt and damages

Available in meters

OHS
OHP

part no. 4047265

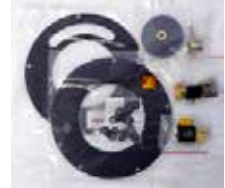


Pos. 028

Spare parts kit ASCOJET 2008 Combi Pro

Spare parts kit containing the most important spare parts to ensure quick reaction for continuous operation

part no. 4046854



Pos. 029

Compressed air hose 7.5 m (24.6 ft)/ ID 25 mm (1 in)

Connecting hose between air compressor and dry ice blasting machine, incl. claw coupling and safety ring for fast and easy connection / disconnection

Material: Fabric hose / metal

Dimension: 7.5 m (24.6 ft)

Weight: 2.4 kg (5.59 lb)

part no. 4045955



Pos. 030

Claw coupling with 25 mm (1 in) male thread

For fast connection and disconnection of the air line to the blasting equipment

part no. 4045944

